

Barrier-Curtain Sensor

BS-200/400/Ex

Complexion

Features

- ▶ Aluminum housing/PC anti-UV cover/ABS side cap.
- ▶ LED indicator/piezo buzzer for beam alignment.
- ▶ Cable wire or terminal block connection.
- ▶ Sensing range : 8 meters (26 feet)
- ▶ Tx power adjustment : Normal/Strong.
- ▶ Anti-tamper circuit triggers alarm if power is cut or end cap is removed.
- ▶ N.O./N.C./Common relay output
- ▶ Slim aluminum housing, anti high temperature/fog/rains
- ▶ Alarm : Break one or two adjacent beams
- ▶ L-brackets and mounting hardware included

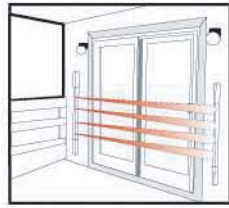
Applications

- ▶ Indoor/Outdoor perimeter security system.
- ▶ Window, Door. When the mounting space is limited.
- ▶ Internal/External protection/Terrace/Sliding door.

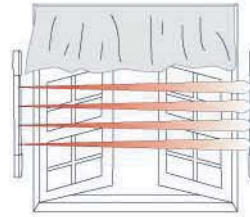


Barrier-Curtain Sensor

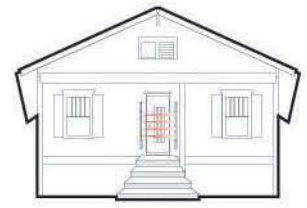
TYPICAL INSTALLATIONS:



Terraces (Sliding Door)



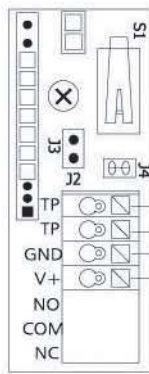
Windows



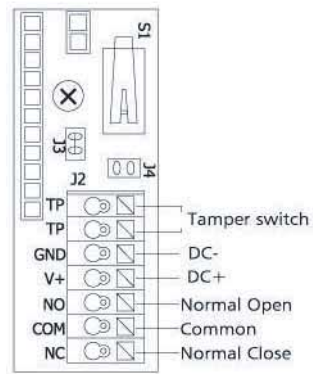
External / Protections

WIRING:

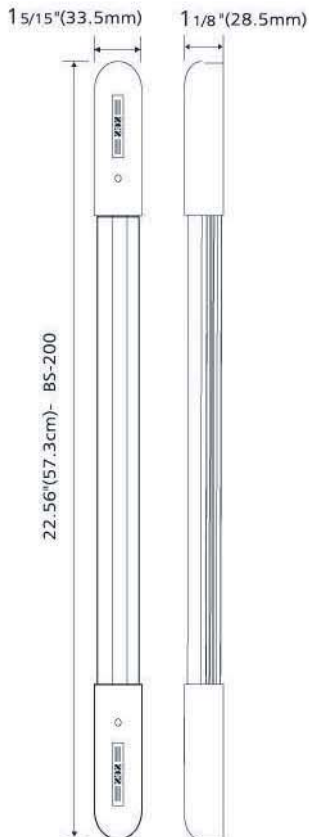
Transmitter



Receiver



DIMENSIONS:



SPECIFICATIONS:

Model	BS-200	BS-400	
Current drain	68mA	81mA	
Number of Beams	2	4	
Dimensions(mm)	35 X 30 X 570	35 X 30 X 1050	
Range	outdoor 25"(8m) , indoor 50"(16m)		
Operating Voltage	10-30VDC		
Detection method	Simultaneous break of 2 adjacent beams or any single beam		
Output	NO./NC./COM relay output, 1A @ 120VAC/ 24VDC		
Operating temp	-49°F(-45°C)~131°F(+55°C)		
LED indicator Red LED Green LED	(OFF): Aligned properly, (ON) Beam broken (ON): Power ON, (OFF) Power OFF		
Enclosure / Case	IP65 / Al alloy		
Response time	Breakage of 1 beam: 2 Sec Breakage of 2 adjacent beams: 0.5 Sec		