

VIP-8987 IP Camera

Self-Network Weatherproof IP Camera with Infrared and Varifocal Lens

VIP-8987 is a professional IP camera for use in outdoor areas and targeting large or tender-based installation projects requiring advanced network technologies. It is also the world's first professional network camera to feature automated self-networking for fast network set-up and installation.

Features:

• Automated Self-Network

VIP-8987 is a self-network IP Camera that eliminates the need for complicated and time-consuming router configuration. Bundled software reduces network set-up to less than 30 seconds.

• H.264 Video Compression

VIP-8987 features H.264 video compression for superior video resolution. The low bit-rate of H.264 codec makes for smoother video streaming, even under the most unfavorable of network environments.

• Sony HQ-1DSP

VIP-8987 features the Sony HQ-1DSP chip which outputs all signals via the ITU-656 interface.

Without analog-to-digital conversion, more image data is preserved, for impressive image quality.

• Varifocal Lens

VIP-8987 includes a varifocal lens with focal length of 4-9 mm for wide-angle video capture. An optional 9-22 mm focal length lens can be installed for longer focal range.

• Infrared and Optional ICR

A built-in infrared sensor delivers superior image capture during night and low light conditions. And an optional ICR function automates the switch between color and B/W modes during day and night surveillance.

• Weatherproof Housing

Weatherproof housing allows VIP-8987 to be installed in most applications and environments, including in summer, winter, sunny day or rainy day; making it an ideal camera for outdoor surveillance.



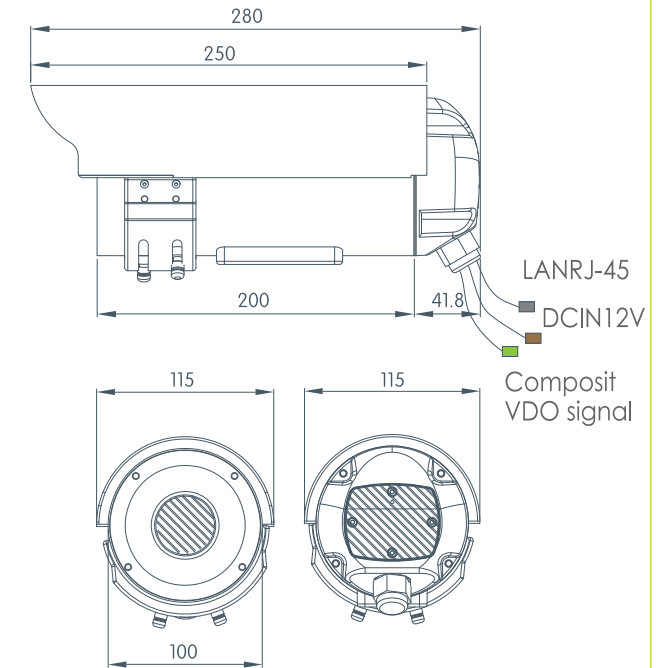
Alternate Views



VIP-8987 IP Camera

Video	Image Sensor	1/3" Sony CCD		
	Video Compression	H.264		
	Video Streams	8		
	Number of Effective Pixels	NTSC:768(H)*494(V) / PAL:752(H)*582(V)		
	Resolution	QQVGA, QCIF, QVGA, CIF, VGA, D1		
	Frame Rate	Up to 30 fps in all resolution		
	Min. Illumination	0.3 Lux, 50 IRE, F1.4 / 0.01 Lux, 10 IRE, F1.4		
	Gamma	0.45		
	S/N Ratio	>48 dB		
	Sync. Mode	Internal Sync		
	Scanning System	2:1 Interlace		
	Shutter Control	NTSC: 1/60-1/100,000 sec. / PAL: 1/50-1/100,000 sec.		
	BNC Video Output	1.0Vpp.75ohm		
	Night Mode	Auto		
	ICR (IR-Cut Filter)	Optional		
	White Balance	ATW		
	Infrared LED	Quantity	28	
Peak Wavelength		850nm		
Radiant Distance		30 meters		
Power	Power Supply	12V DC		
	Power Consumption	8.2W		
Audio (Optional)	Audio Streaming	Two-way Audio		
	Audio Input/Output	Audio In: Line Level Input / 50Hz-20KHz 0.7Vp-p Audio Out: Line Level Output / Speaker 8 ohm 330mW		
Lens	3~9mm auto iris lens (standard); 9~22mm (optional)			
Dimension	280(L) x 115(Ø)mm			
Weight	1.6kg			
Ingress Protection Rating	IP66			
Operating Temperature	-10°C to 60°C			
Network	Protocol	HTTP, TCP, UDP, DNS, DHCP, PPPoE, Samba		
	Ethernet	10/100M Fast Ethernet RJ-45 Port		
	PoE	Optional		
Software	Operating System	Windows XP and above		
	Software Package	64-channel NVR	Viewer	
		Remote Playback	Setup Software Utility	

Dimensions



Optional Accessories



HD-914



บริษัท ยูโร เอเชีย อินเทอร์เน็ต จำกัด 805 ถ.กาญจนาภิเษก แขวงหลักสอง เขตบางแค กรุงเทพฯ 10160
 Tel: 0-2801-5840, 0-2801-5120, 08-1855-2867 Fax: 0-2801-5473
 www.complexion.co.th E-mail: sales@complexion.co.th