

©2023 Complexion All rights reserved.

#### About this Manual

The Manual includes instructions for using and managing the Product. Pictures, charts, images and all other information hereinafter are for description and explanation only. The information contained in the Manual is subject to change, without notice, due to firmware updates or other reasons.

#### Disclaimer

TO THE MAXIMUM EXTENT PERMITTED BY APPLICABLE LAW, THIS MANUAL AND THE PRODUCT DESCRIBED, WITH ITS HARDWARE, SOFTWARE AND FIRMWARE, ARE PROVIDED "AS IS" AND "WITH ALL FAULTS AND ERRORS". COMPLEXION MAKES NO WARRANTIES, EXPRESS OR IMPLIED, INCLUDING WITHOUT LIMITATION, MERCHANTABILITY, SATISFACTORY QUALITY, OR FITNESS FOR A PARTICULAR PURPOSE. THE USE OF THE PRODUCT BY YOU IS AT YOUR OWN RISK. IN NO EVENT WILL COMPLEXION BE LIABLE TO YOU FOR ANY SPECIAL, CONSEQUENTIAL, INCIDENTAL, OR INDIRECT DAMAGES, INCLUDING, AMONG OTHERS, DAMAGES FOR LOSS OF BUSINESS PROFITS, BUSINESS INTERRUPTION, OR LOSS OF DATA, CORRUPTION OF SYSTEMS, OR LOSS OF DOCUMENTATION, WHETHER BASED ON BREACH OF CONTRACT, TORT (INCLUDING NEGLIGENCE), PRODUCT LIABILITY, OR OTHERWISE, IN CONNECTION WITH THE USE OF THE PRODUCT, EVEN IF COMPLEXION HAS BEEN ADVISED OF THE POSSIBILITY OF SUCH DAMAGES OR LOSS.

YOU ACKNOWLEDGE THAT THE NATURE OF THE INTERNET PROVIDES FOR INHERENT SECURITY RISKS, AND COMPLEXION SHALL NOT TAKE ANY RESPONSIBILITIES FOR ABNORMAL OPERATION, PRIVACY LEAKAGE OR OTHER DAMAGES RESULTING FROM CYBER-ATTACK, HACKER ATTACK, VIRUS INFECTION, OR OTHER INTERNET SECURITY RISKS; HOWEVER, COMPLEXION WILL PROVIDE TIMELY TECHNICAL SUPPORT IF REQUIRED.

YOU AGREE TO USE THIS PRODUCT IN COMPLIANCE WITH ALL APPLICABLE LAWS, AND YOU ARE SOLELY RESPONSIBLE FOR ENSURING THAT YOUR USE CONFORMS TO THE APPLICABLE LAW, ESPECIALLY, YOU ARE RESPONSIBLE, FOR USING THIS PRODUCT IN A MANNER THAT DOES NOT INFRINGE ON THE RIGHTS OF THIRD PARTIES, INCLUDING WITHOUT LIMITATION, RIGHTS OF PUBLICITY, INTELLECTUAL PROPERTY RIGHTS, OR DATA PROTECTION AND OTHER PRIVACY RIGHTS. YOU SHALL NOT USE THIS PRODUCT FOR ANY PROHIBITED END-USES, INCLUDING THE DEVELOPMENT OR PRODUCTION OF WEAPONS OF MASS DESTRUCTION, THE DEVELOPMENT OR PRODUCTION OF CHEMICAL OR BIOLOGICAL WEAPONS, ANY ACTIVITIES IN THE CONTEXT RELATED TO ANY NUCLEAR EXPLOSIVE OR UNSAFE NUCLEAR FUEL-CYCLE, OR IN SUPPORT OF HUMAN RIGHTS ABUSES.

IN THE EVENT OF ANY CONFLICTS BETWEEN THIS MANUAL AND THE APPLICABLE LAW, THE LATTER PREVAILS.

## 1 Introduction

The sensor can detect the door or window opening. When the door or window is open, an alarm will be triggered and it will be sent to the alarm center or mobile client via security control panel.

Door Magnetic Sensor Alarm: When the distance between the sensor and the magnetic stick is longer than 3 cm, an alarm will be triggered. The indicator will flash once.

Tamper Alarm: When removing the sensor, an alarm will be triggered.

## 2 Appearance

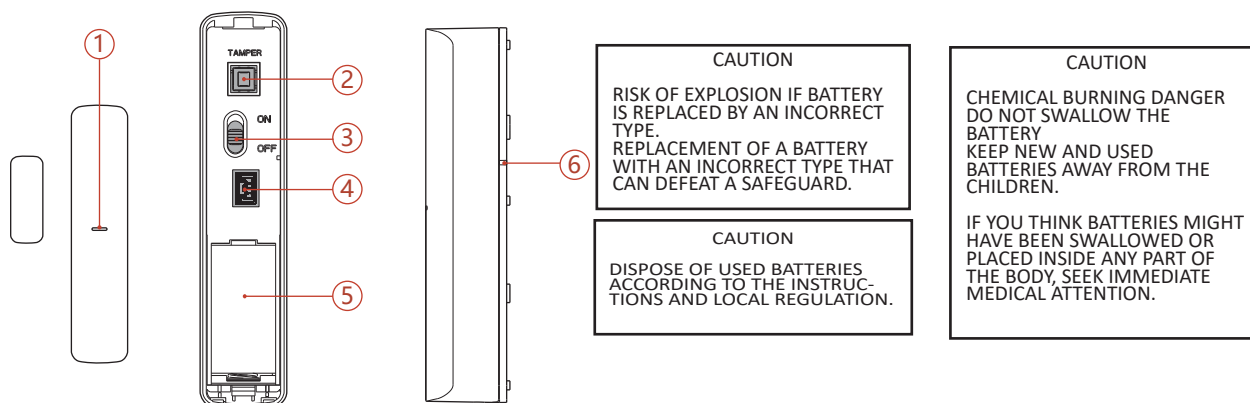


Figure 2-1 Appearance

### 1 Indicator

- Alarm Detection: Red LED flashes.
- Detector Formatted: Red LED flashes 3 times.
- Display Signal Strength:  
Under the signal strength checking mode:  
Solid Green for 3 s - Strong Signal  
Solid Orange for 3 s - Medium Signal  
Solid Red for 3 s - Weak Signal  
Red light flashes for 3S, interval 250 ms - Failure

### 2 TAMPER Button

- Tampering Alarm: If the detector is disassembled, an alarm will be triggered.
- Formatting: Remove the battery. Hold the TAMPER button and power the detector on at the same time. The red LED flashes 3 time when the formatting is completed.

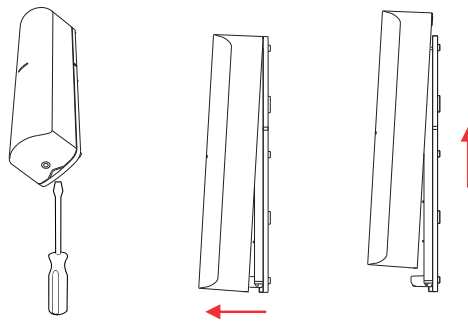
### 3 Power Switch

### 4 Interface

### 5 Battery

### 6 Installation Datum Line

### 3 Power On



**CAUTION**  
IF THE BATTERY COMPARTMENT DOES NOT CLOSE SECURELY, STOP USING THE PRODUCT AND KEEP IT AWAY FROM CHILDREN.

Figure 3-1 Power On

Dig the groove to disassemble the device. Remove the front and rear panel. Turn the power switch to ON to power on the device.

**Note:** Do not disassemble the device with sharps.

### 4 Enrollment

1. Log in to the APP Store, download and install Guarding vision.
2. Power on the security control panel.
3. Log in the APP and tap the icon "+". Scan the QR code or input the control panel serial No. to add the control panel.

#### 1 Enroll the Peripheral Locally

1. In the APP, tap the "Enrollment Mode" button on the control panel page to make the control panel enter the enrollment status.
2. Power on the peripheral, and it will be automatically enrolled to the control panel.

#### 2 Enroll the Peripheral with QR and serial No.

1. In the APP, tap the icon "+" and scan the QR code or serial No. on the peripheral.
2. Power on the peripheral, and it will be automatically enrolled to the control panel.

### 5 Installation

1. Check Signal Strength  
Enter the signal checking mode by operating on the control panel. Trigger the detector.  
Solid Green for 3 s - Strong Signal  
Solid Orange for 3 s - Medium Signal  
Solid Red for 3 s - Weak Signal  
Red light flashes for 3S, interval 250 ms - Failure

#### 2. Install the Detector

Dig the groove to disassemble the device.

Method 1: Secure the rear panel to the wall with two screws.

Method 2: Paste rear panel on the wall with the sponge tape.

**Note:** To make the TAMPER work properly, the thickness of the sponge tape should be no more than 1mm.

Close the front and the rear panel.

**Note:** You should install the sensor and the magnetic stick at the door or window's edge. Make sure they are aligned with the door or window's edge.

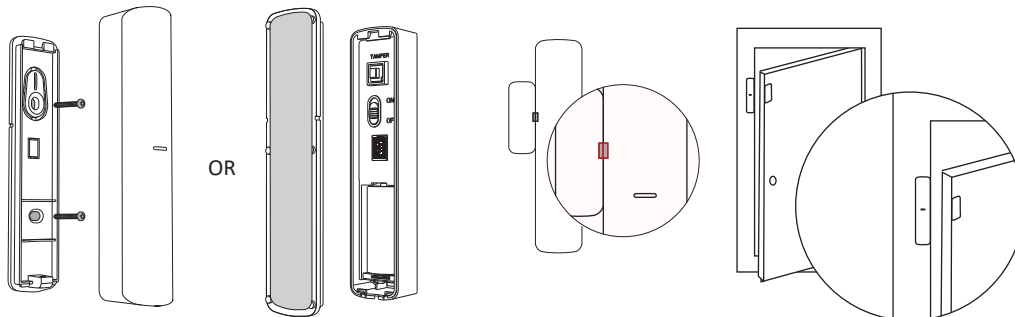


Figure 5-1 Installation

### 6 Functions

| Function | Description   |
|----------|---|
| Alarm    | The alarm will be triggered while the gap between the sensor and magnetic stick is bigger than that shows in the table. The LED keeps blue for 2 s.   |
|          | You can add two external inputs (each input can be set as NO\NC\TAMPER\Pulse) via the ECO 2 Ways Kits client.<br>While Any of the two inputs generates an alarm event, the contact reports the alarm to the ECO 2 Ways Kits. The LED keeps blue for 2 s.  |
| Test     | The contact starts test automatically after being enrolled to the ECO 2 Ways Kits. The LED turn red.<br><br>Separate the contact, and make a gap between the sensor and stick. while the LED turns green, the alarm is triggered by this gap. Adjust the installation position of the contact to get a satisfied alarm gap. |

## 7 Operation Caution and Device Maintenance

- All the electronic operation should be strictly compliance with the electrical safety regulations, fire prevention regulations and other related regulations in your local region.
- Do not drop the device or subject it to physical shock, and do not expose it to high electromagnetism radiation. Avoid the equipment installation on vibrations surface or places subject to shock (ignorance can cause equipment damage).
- Please make sure that the power has been disconnected before you wire, install or dismantle the device.
- If smoke, odors or noise rise from the device, turn off the power at once and unplug the power cable, and then please contact the service center.
- Do not drop the device or subject it to physical shock, and do not expose it to high electromagnetism radiation. Avoid the equipment installation on vibrations surface or places subject to shock (ignorance can cause equipment damage).
- Do not place the device in extremely hot (refer to the specification of the device for the detailed operation temperature), cold, dusty or damp locations, and do not expose it to high electromagnetic radiation.
- The device for indoor use shall be kept from rain and moisture.
- Exposing the equipment to direct sun light, low ventilation or heat source such as heater or radiator is forbidden (ignorance can cause fire danger).
- Do not aim the device at the sun or extra bright places. A blooming or smear may occur otherwise (which is not a malfunction however), and affecting the endurance of sensor at the same time.
- Improper use or replacement of the battery may result in hazard of explosion. Replace with the same or equivalent type only. Dispose of used batteries according to the instructions provided by the battery manufacturer.
- Do not expose the device to the corrosive gas. Otherwise the equipment damage may occur.
- Do not expose the device to the explosive situation.

## 8 Specification

|                                   |  |
|-----------------------------------|--|
| One reed switch                   | Yes  |
| External Inputs                   | 2  |
| Tamper protection                 | Front & Back                                 |
| LED indicator                     | Blue (alarm)                                 |
| Encapsulated plastic              | Yes  |
| Input options                     | Normal and Fast Sensitivity with Pulse Count |
| Programmable pulse count          | Yes  |
| Fast input sensitivity            | 1ms  |
| Normal input sensitivity          | 250ms  |
| Operating temperature             | -10 °C to 55 °C (14 °F to 131 °F)            |
| Storage temperature               | -20 °C to 60 °C (-4 °F to 140 °F)            |
| Operating humidity                | 10% to 90%                                   |
| Weight                            | 59 g   |
| Programming method                | Advanced Wireless Link                       |
| LED indicator                     | On/Off                                       |
| External Input 1                  | NC/NO, Roller Shutter (RS), Tamper           |
| External Input 2                  | NC/NO, Roller Shutter (RS), Tamper           |
| RS Pulse Count                    | 2 to 30 Pulses                               |
| RS Pulse Count Timeout            | 10 to 60s                                    |
| Environment temperature indicator | Yes  |
| 2-way wireless communication      | Yes  |
| Transmission frequency            | 868/433MHz                                   |
| Frequency hopping                 | Multichannel transmission                    |
| Transmission encryption           | AES-128 encryption                           |
| Signal strength indicators        | Yes  |
| RF range                          | WE:1.6 Km/WB:1.2 km(open space)              |
| Enrolling methods                 | Power up, Remote ID, QR code                 |
| Battery                           | CR123A x 1 (included)                        |
| Standard battery life             | 5 years                                      |
| Dimension (H × W × D)             | 103 mm × 22.5 mm × 23.2 mm                   |