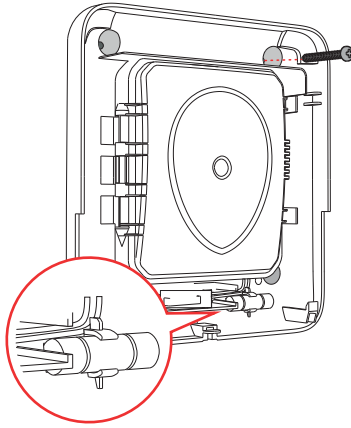




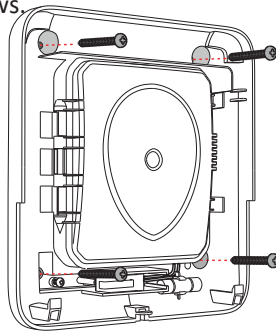




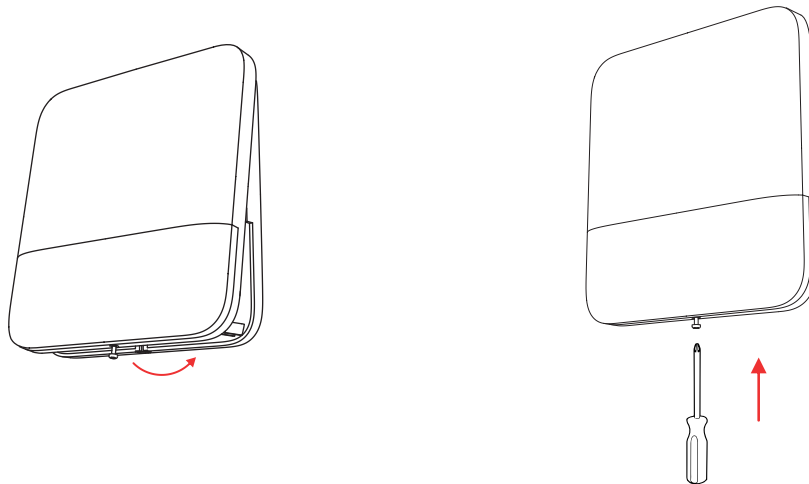
3. Attach the siren to the required place with the top screw. Make the siren horizontal by resorting to the gradienter.



4. Secure the sounder with other three screws.



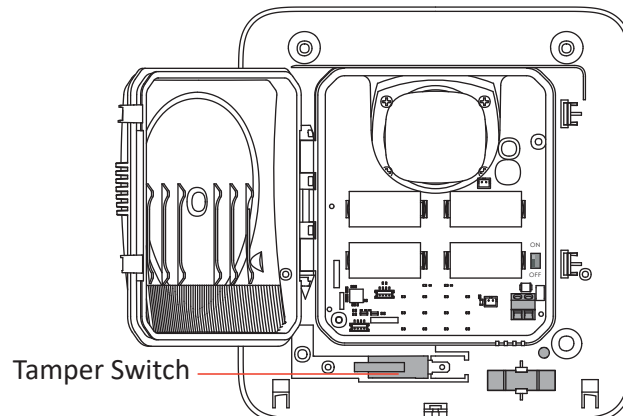
5. Fix the front panel on the siren body. Tighten the set screw to complete the installation.



## 6 Operation

### Formatting

Hold the tamper button, and push the power switch to ON simultaneously. Release the tamper button after 8 s, and the device will start formatting. While the formatting is completed, the red LED flashes 3 times.



## 7 Operation Caution and Device Maintenance

- All the electronic operation should be strictly compliance with the electrical safety regulations, fire prevention regulations and other related regulations in your local region.
  - Do not drop the device or subject it to physical shock, and do not expose it to high electromagnetism radiation. Avoid the equipment installation on vibrations surface or places subject to shock (ignorance can cause equipment damage).
  - Please make sure that the power has been disconnected before you wire, install or dismantle the device.
  - If smoke, odors or noise rise from the device, turn off the power at once and unplug the power cable, and then please contact the service center.
  - Do not drop the device or subject it to physical shock, and do not expose it to high electromagnetism radiation. Avoid the equipment installation on vibrations surface or places subject to shock (ignorance can cause equipment damage).
  - Do not place the device in extremely hot (refer to the specification of the device for the detailed operation temperature), cold, dusty or damp locations, and do not expose it to high electromagnetic radiation.
- Exposing the equipment to direct sun light, low ventilation or heat source such as heater or radiator is forbidden (ignorance can cause fire danger).
- Do not aim the device at the sun or extra bright places. A blooming or smear may occur otherwise (which is not a malfunction however), and affecting the endurance of sensor at the same time.
  - Improper use or replacement of the battery may result in hazard of explosion. Replace with the same or equivalent type only. Dispose of used batteries according to the instructions provided by the battery manufacturer.
  - Do not expose the device to the corrosive gas. Otherwise the equipment damage may occur.
  - Do not expose the device to the explosive situation.

## 8 Specification

<b>RF</b>	Frequency	868 MHz
	Metod	Two-way communication
	Distance	1,6 KM
<b>Indication</b>	Indicator	Red/Green
	Strobe light	Red/Blue (white on the board)
<b>Power</b>	Power	Battery (default power supply method) or 12 VDC
	Consumption	Quiescent Current: 40uA Battery: Max. 3 V/4A (alerts in volume level 3 ) 12 VDC: Max. 12 V/1.3A (alerts in volume level 3 )
	Low Battery Cut Off	2.45 V
	Voltage Range	Fully charged (new) to 2.45V DC (battery)
	Battery life span	4 CR123A, 3 years in work status(triggered every two weeks and alerting 90 s for each triggering)
<b>Interface</b>	Power switch	Power switch
	Tamper switch	Front and rear tamper-proof
<b>Buzzer</b>	Piezo Decibel	102 db
	Max. Sound Duration	15min (900s)
<b>General</b>	Operation Temperature	-25 °C to 60 °C (-13 °F to 140 °F)
	Operation Humidity	10% to 90%
	Material	PC+ABS
	Dimension (W × H × D)	190× 200 × 47.3mm (.748" × 7.87" × 1.86" )
	Weight	606.5g
	Protection Level	IP65
	Installation	Wall mounting