

# *Single Photoelectric Beam Sensor*



## *Features*

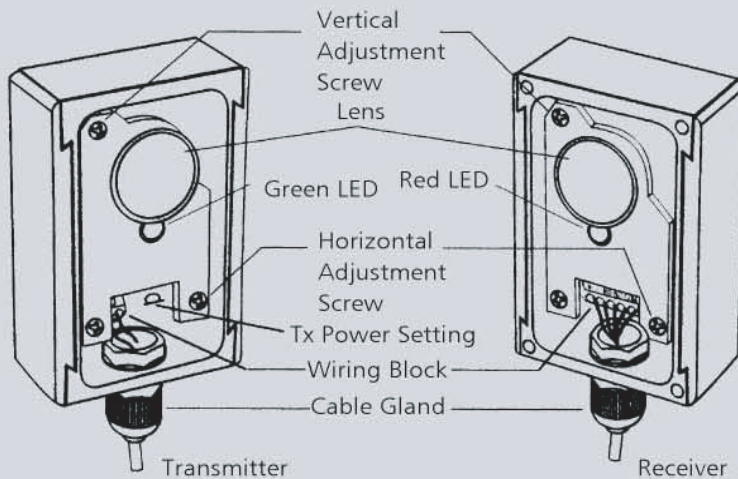
- ◀ Long sensing range : 20 meters
- ◀ IP-66 Water proof
- ◀ N.C/N.O/ Common Output
- ◀ Terminal block wiring connection
- ◀ Mounting bracket/screw included
- ◀ Transmitter power adjustment
- ◀ AC/DC 12~24V Input voltage

## *Applications*

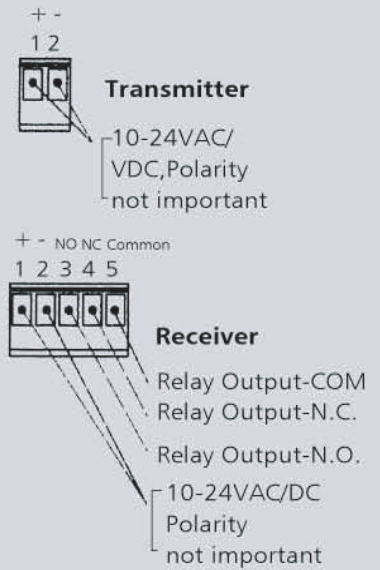
- ◀ Gate or garage door
- ◀ Overhead doors
- ◀ Barrier
- ◀ Door entrance
- ◀ Parking lot
- ◀ Alarm system
- ◀ Warehouse



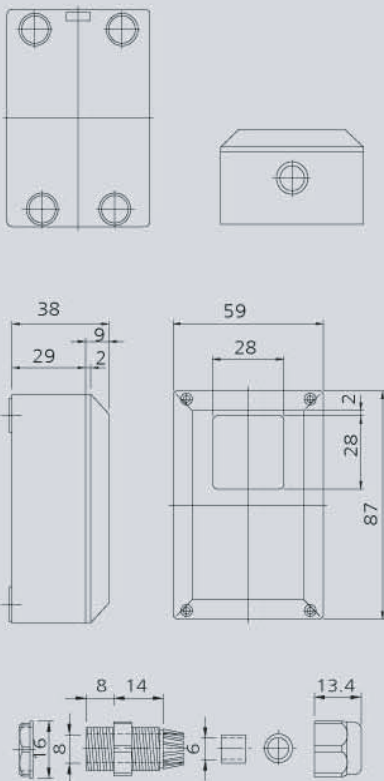
**PARTS IDENTIFICATION:**



**WIRING:**

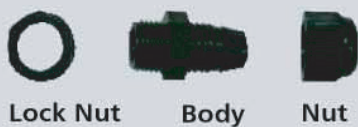


**DIMENSIONS:**



UNIT:mm

**CABLE GLAND:**



**SPECIFICATIONS:**

| Item NO.                 | IR-3000G  |
|--------------------------|---|
| Detection Method         | Through Beam  |
| Sensing Range            | 30 meters   |
| Input Voltage            | AC/DC 10-24V  |
| Response Time            | 100 msec  |
| Emitting Element         | Infrared LED  |
| Operation Indicator      | Red Led(Rx): off (when beam is broken), Green Led(Tx):on                                  |
| Dimensions               | 21mm(w) * 87mm(h)* 38 mm(t)   |
| Output Method            | Relay output(N.C./N.O/Common)   |
| Current Consumption      | Tx:33.5mA / Rx:27.5mA (when beam is aligned)<br>Tx:33.5mA / Rx:13mA (when beam is broken) |
| Contact Current          | 1A/120VAC   |
| Tx power adjustment      | 1. Strong: short jumper 2. Normal: jumper open  |
| Sensing angle adjustment | Horizontal: ±5° , Vertical: ±5°   |
| Illumination             | Lamplight<10,000 Lux ; Sunlight<30,000 Lux  |
| Connection Method        | Terminal Block  |
| Noise Resistance         | 1500Vp-P/1uS  |
| Surge Resistance         | 2KV/1uS   |
| Vibration Resistance     | 10-55Hz/1.5mm, 2 Hours In X.Y.Z. Phase  |
| Housing Material         | Case: Nylon,Lens:PC   |
| Operating Temp.          | -13°F(-25°C)~140°F(60°C)  |
| Water Proof              | IP-66   |
| Safety Standard          | CE  |



บริษัท ยูโร เอเชีย อินเตอร์เทรด จำกัด  
 805 ถนนกาญจนาภิเษก แขวงหลักสอง เขตบางคอ กรุงทพฯ 10160  
 Tel: 08-1855-2867, 02-046-8677  
 www.complexion.co.th E-mail: sales@complexion.co.th