

Single Photoelectric Beam Sensor



Features

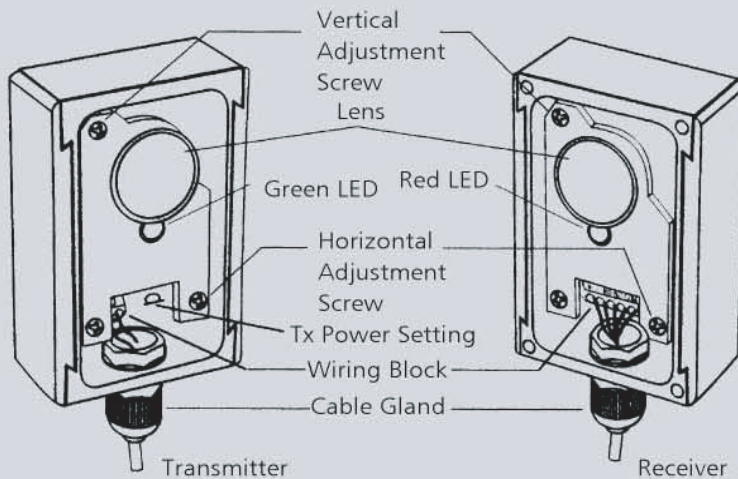
- ◀ Long sensing range : 20 meters
- ◀ IP-66 Water proof
- ◀ N.C/N.O/ Common Output
- ◀ Terminal block wiring connection
- ◀ Mounting bracket/screw included
- ◀ Transmitter power adjustment
- ◀ AC/DC 12~24V Input voltage

Applications

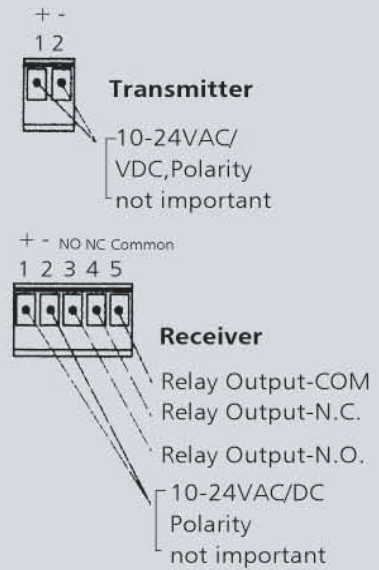
- ◀ Gate or garage door
- ◀ Overhead doors
- ◀ Barrier
- ◀ Door entrance
- ◀ Parking lot
- ◀ Alarm system
- ◀ Warehouse



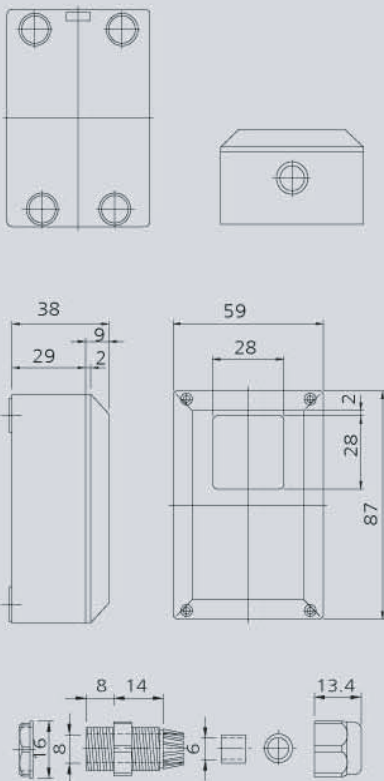
PARTS IDENTIFICATION:



WIRING:

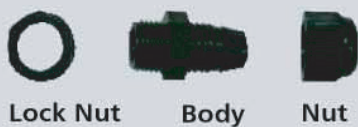


DIMENSIONS:



UNIT:mm

CABLE GLAND:



SPECIFICATIONS:

Item NO.	IR-3000G
Detection Method	Through Beam
Sensing Range	30 meters
Input Voltage	AC/DC 10-24V
Response Time	100 msec
Emitting Element	Infrared LED
Operation Indicator	Red Led(Rx): off (when beam is broken), Green Led(Tx):on
Dimensions	21mm(w) * 87mm(h)* 38 mm(t)
Output Method	Relay output(N.C./N.O/Common)
Current Consumption	Tx:33.5mA / Rx:27.5mA (when beam is aligned) Tx:33.5mA / Rx:13mA (when beam is broken)
Contact Current	1A/120VAC
Tx power adjustment	1. Strong: short jumper 2. Normal: jumper open
Sensing angle adjustment	Horizontal: ±5° , Vertical: ±5°
Illumination	Lamplight<10,000 Lux ; Sunlight<30,000 Lux
Connection Method	Terminal Block
Noise Resistance	1500Vp-P/1uS
Surge Resistance	2KV/1uS
Vibration Resistance	10-55Hz/1.5mm, 2 Hours In X.Y.Z. Phase
Housing Material	Case: Nylon,Lens:PC
Operating Temp.	-13°F(-25°C)~140°F(60°C)
Water Proof	IP-66
Safety Standard	CE



บริษัท ยูโร เอเชีย อินเตอร์เทรด จำกัด
 805 ถนนกาญจนาภิเษก แขวงหลักสอง เขตบางคอ กรุงทพฯ 10160
 Tel: 08-1855-2867
 www.complexion.co.th E-mail: sales@complexion.co.th