

# *Retro-Reflective*

## *Photoelectric Beam Sensor*



**IR-1000ExL-B**

*Complexion*

### *Features*

- ◀ *PC casing, anti fog / dew / rains*
- ◀ *IP-66 Water proof*
- ◀ *RoundShape reflector*
- ◀ *Wrap around mounting bracket*
- ◀ *Input Volt.: Full range (AC/DC 12~250V)*
- ◀ *2 LED Indicators for power and beam alignment*

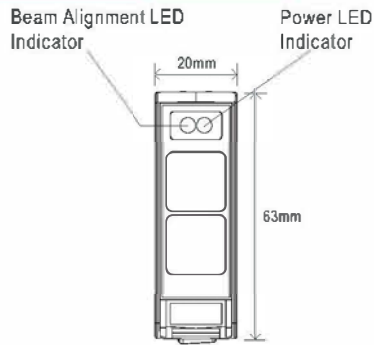
### *Applications*

- ◀ *Gateopener*
- ◀ *Overhead*
- ◀ *Swing gate*
- ◀ *Sliding door*
- ◀ *Internal / External protection*
- ◀ *Window*
- ◀ *Terrace*
- ◀ *Warehouse*
- ◀ *Parking lot*
- ◀ *Conveyor*

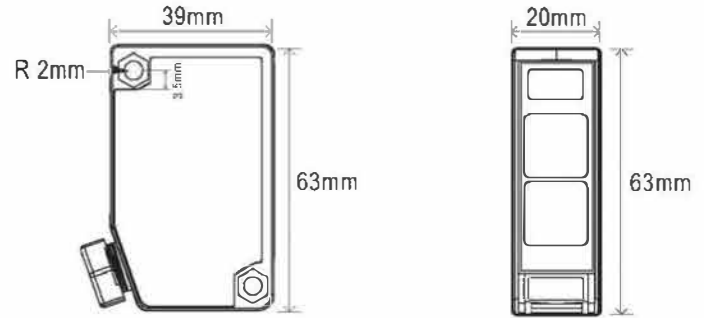
**Complexion**<sup>®</sup>

# Retro-Reflective Photoelectric Beam Sensor

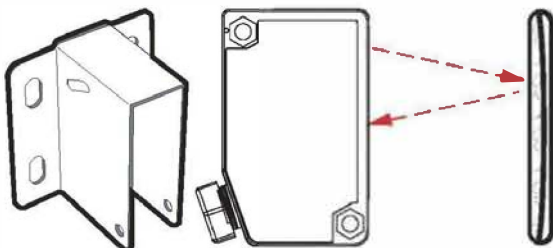
## Front View



## Dimensions:



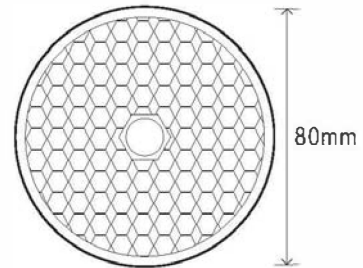
## Side View



(Sensor / Reflector / Mounting Bracket)  
Cable wire length: 2 meters

## Reflector

Round shape reflector



## Specification:

Detection Method		Retro-Reflection	
Item No.	N.C.	IR-1000ExL-B	
Sensing Range		10 meters	
Supply Volt.		AC/DC 12~250 V ±10%	
Response time		10 ms	
Sensing Range(adjustable)		0.2m~10m(adjustable)	
Emitting Element		IR LED	
Beam Alignment		Red LED Indicator (when Poered)	
LED Indicator	Beam Alignment	N.C.:On	N.C.:Off
	Beam Broken	N.C.:Off	N.C.:On
Power LED Indicator	Red LED Indicator		
	When Powered : On		When Off : Off
Dimensions		20mm(w) x 66mm(h) x 39mm(d)	
Current Drain		80mA	
Output Method		1.SPDT Relay output	
Switching Capacity		3A / 125VAC	
Illumination		Lamplight < 10,000 Lux : Sunlight < 30,000 Lux	
Connection Method		Cable wires: Brown / Blue / White / Black / Gray	
Noise Resistance		1500Vp-P / 1 Us	
Housing Material		Case: ABS ; Lens : PC	
Operating Temp.		-4°F to 131°F(-20°C to 50°C)	
Water Proof		IP-66	
Safety Standard		CE / RoHS (Up to customer's request)	

## Wiring Connection Diagram

### LIGHT ON (N.C.)--ExL Series

Brown: Input power-non polarity  
Blue: Input power-non polarity  
Gray: Normally close  
White: Common  
Black: Normally open

