

# Dual Photobeam Detector

*Laser Beam Alignment Function*

# Complexion

**PB-30HD/60HD**

## Features

- ◀ *Reliable Perimeter security and protection*
- ◀ *Laser beam alignment function*
- ◀ *Twin beam : minimizing false alarm, for falling leaves, birds, small animal --- etc.*
- ◀ *Weather proof: Anti rain, snow, dew, mist, frost --- etc.*
- ◀ *IP-55 Water proof*
- ◀ *Automatic input power filtering*
- ◀ *Easy, quick installation*

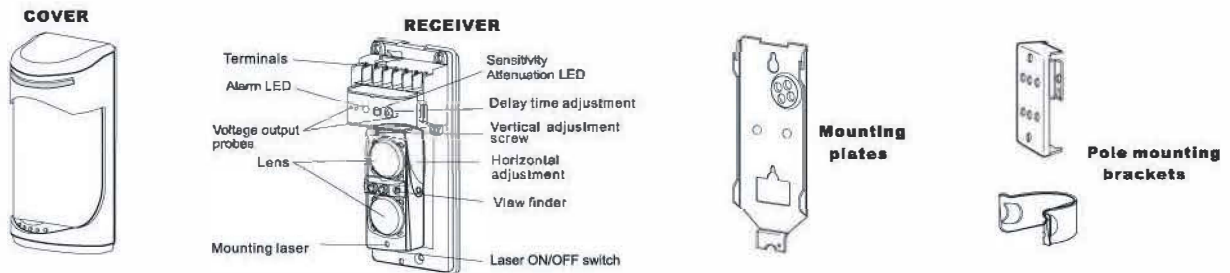
## Applications

- ◀ *N.C/N.O alarm output*
- ◀ *N.C. tamper switch*
- ◀ *Non-polarized power input*
- ◀ *Interruption time adjustment*
- ◀ *Gate or garage door*
- ◀ *Door entrance*
- ◀ *Perimeter protection*
- ◀ *Warehouse*
- ◀ *Barrier*

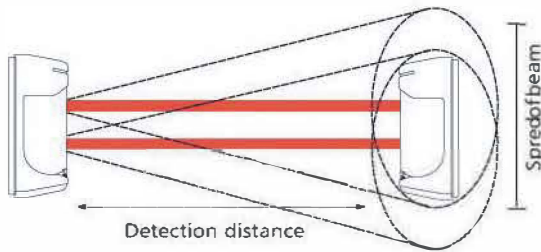


# Dual Photobeam Detector

## PARTS IDENTIFICATION:



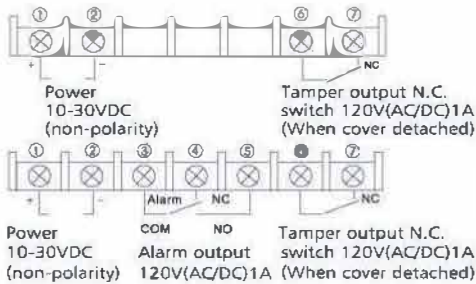
## EXPANSION OF BEAM:



The protection distance(between Transmitter /Receiver)should be placed in the rated range.

Model	Detection distance	Spred of beam
PB-30HD	30m(100 ft.)	0.9m(3.0 ft.)
PB-60HD	60m(200 ft.)	1.8m(6.0 ft.)

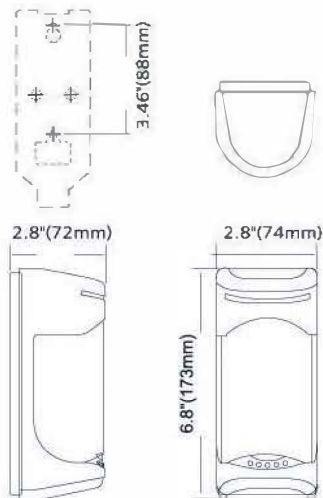
## WIRING:



## SPECIFICATIONS:

Model	PB-30HD	PB-60HD	PB-90HD	PB-120HD
Max. range(outdoor)	100'(30m)	200'(60m)	270'(80m)	400'(120m)
Max. range(indoor)	200'(60m)	400'(120m)	540'(160m)	800'(240m)
Current consumption	47mA	56mA	60mA	62mA
Supply voltage	10-30VDC(Non-polarity)			
Detection system	Simultaneous breaking of 2 beams			
Response time	50msec~700msec(variable)			
Alarm output	Contact capacity:NC./NO. 1A/120VAC			
Tamper output(Tx&Rx)	Dry contact relay:NC. Contact capacity:1A/120VAC			
Alarm LED(receiver)	Red LED-ON:when transmitter and receiver are not aligned or when beam is broken.			
Signal LED(receiver)	Yellow LED ON:when receiver's signal is weak or when beam is broken.			
Power LED(transmitter and receiver)	Green LED ON:Indicates connected to power			
Laser wavelength	650nm			
Laser output power	≤5mW			
IP Rating	IP-55			
Alignment angle	Horizontal:±90° , Vertical:±15°			
Operating temperature	-13°F(-25°C) - 131°F(+55°C)			
Weight	1.1kg			
Appearance	PC Resin			

## DIMENSIONS:



UNIT:mm

**Complexion**®

บริษัท ยูโร เอเชีย อินเตอร์เทรด จำกัด  
 805 ถนนพหลโยธิน แขวงหลักสอง เขตบางแค กรุงเทพฯ, 10160  
 Tel: 08-1855-2867.  
 www.complexion.co.th E-mail: sales@complexion.co.th