

# **Analog Camera**

**PTZ H210A Outdoor 10X**



**Complexion**

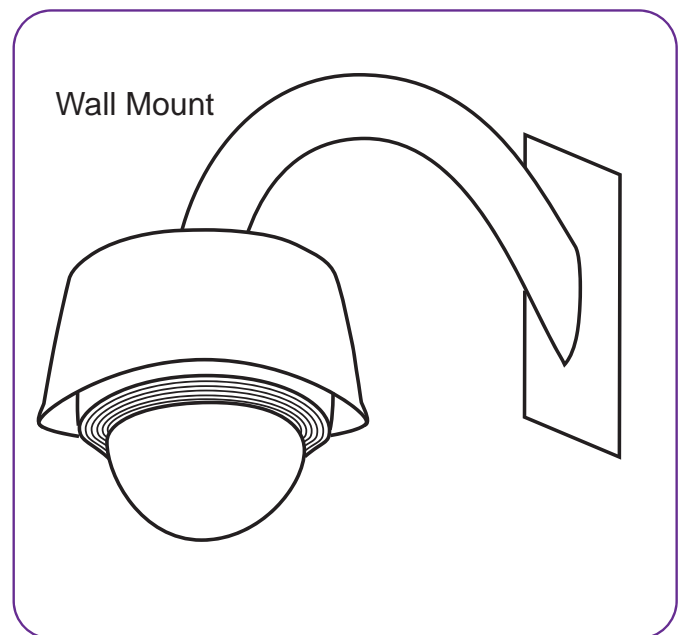
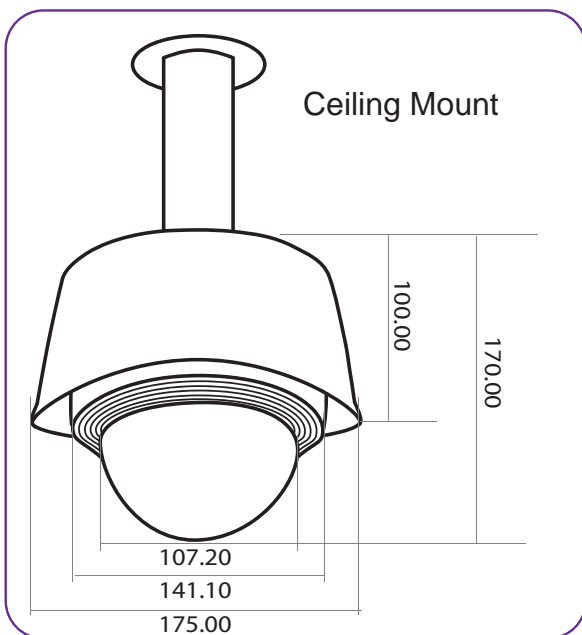
## **Specifications**

- ◀ 1/4" Interline Transfer CCD
- ◀ Auto Day/Night; color/B&W function, Dual IR filter switch (IR Cut function)
- ◀ 100x (10x Optical zoom, 10x Digital Zoom)
- ◀ Horizontal RES : 500TVL (Color), 570TVL (B/W)
- ◀ Min Illumination : Color 0.7Lux/F1.8 (50 IRE)  
B/W 0.02Lux/F1.8 (50 IRE)
- ◀ 128 Preset
- ◀ Privacy Zone : 4 Privacy Zone
- ◀ Preset Speed : Max 360°/sec
- ◀ Rotation Range : Pan 360 degree rotating  
Tilt 180 degree rotating (Auto-Flip)
- ◀ Manual Speed : 0.5° ~360°/Sec (proportional to zoom)
- ◀ 8 Cruise Group (20 action entities per Group)
- ◀ RS-485 Long-distance control (Pelco-D, Pelco-P protocol)
- ◀ With outside cover, inside cover with fan and heater



# PTZ H210A Outdoor 10X

Model	PTZ H210A	
Scan	PAL 2 : 1 Interleaved	NTSC 2:1 Interleaved
Imaging Device	1/4" Interline Transfer CCD	
Effective Pixels	752(H) x 582(V)	768(H) x 494(V)
Scan Frequency	H:15.625 KHz/V:50.00 Hz	H:15.734 KHz/V:59.94 Hz
Horizontal RES	500TVL (Color), 570TVL(B/W)	
Video Output	Composite Video Signal 1.0Vp-p(75 OHM,BNC)	
S/N Ratio	50 dB (AGC OFF,Weight ON)	
Day/Night	Dual IR filter switch	
Min Illumination	Color 0.7Lux/F1.8 (50 IRE), B/W 0.02Lux/F1.8 (50 IRE)	
Privacy Zone	4 Zone	
White Balance	Auto tracking white balance, AWB control, Manual	
BLC	Low/Middle/Hign/Off	
Focus Length	f=3.8 to 38 mm (F 1.8 to 3.2)	
Manual Speed	0.5° ~ 360° /Sec (proportional to zoom)	
Preset Speed	Max 360° / sec	
Rotation Range	Pan 360 degree rotating, Tilt 180 degree rotating (Auto-Flip)	
Zoom	100x (10x Optical zoom, 10x Digital Zoom).	
Preset	128	
Pattern	4 pattern	
Swing	8 swing	
Group	8 Group(20 action entities per Group)	
Communication	RS-485 (Pelco-D, Pelco-P)	
Screen Display	English Menu	
Constant Temp. System	With Outside cover, Inside with fan and heater	
Operation Temperature	-40~50°C	
Operation Humidity	<90% PH	
Power	DC12V/ 1.3A	
Weight	1.8KG	
Dimension(dis.xHigh)mm	175.00 X 170.00	



**Complexion**®

บริษัท ยูโร เอเซีย อินเทอร์เน็ต จำกัด  
 805 ถ.พญาภิเชก แขวงหลักสอง เขตบางแค กรุงเทพฯ, 10160  
 Tel: 08-1855-2867  
 www.complexion.co.th E-mail: sales@complexion.co.th